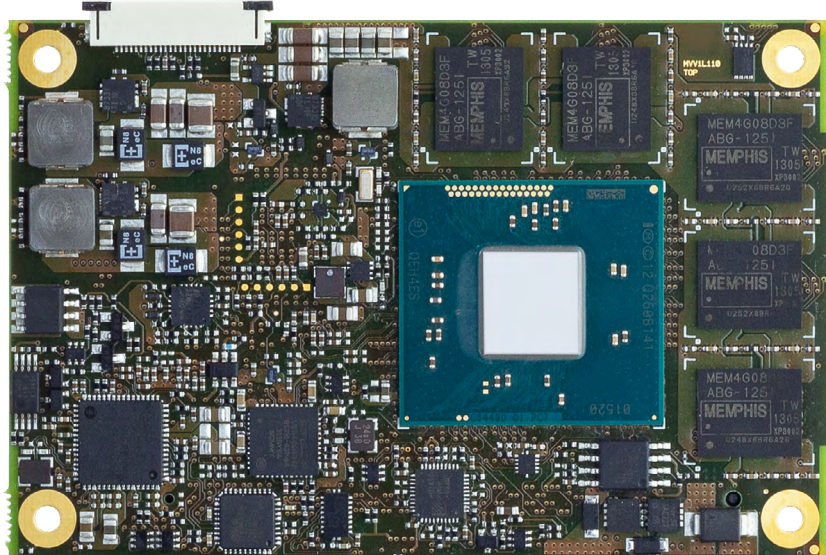


# COMe-mBT10



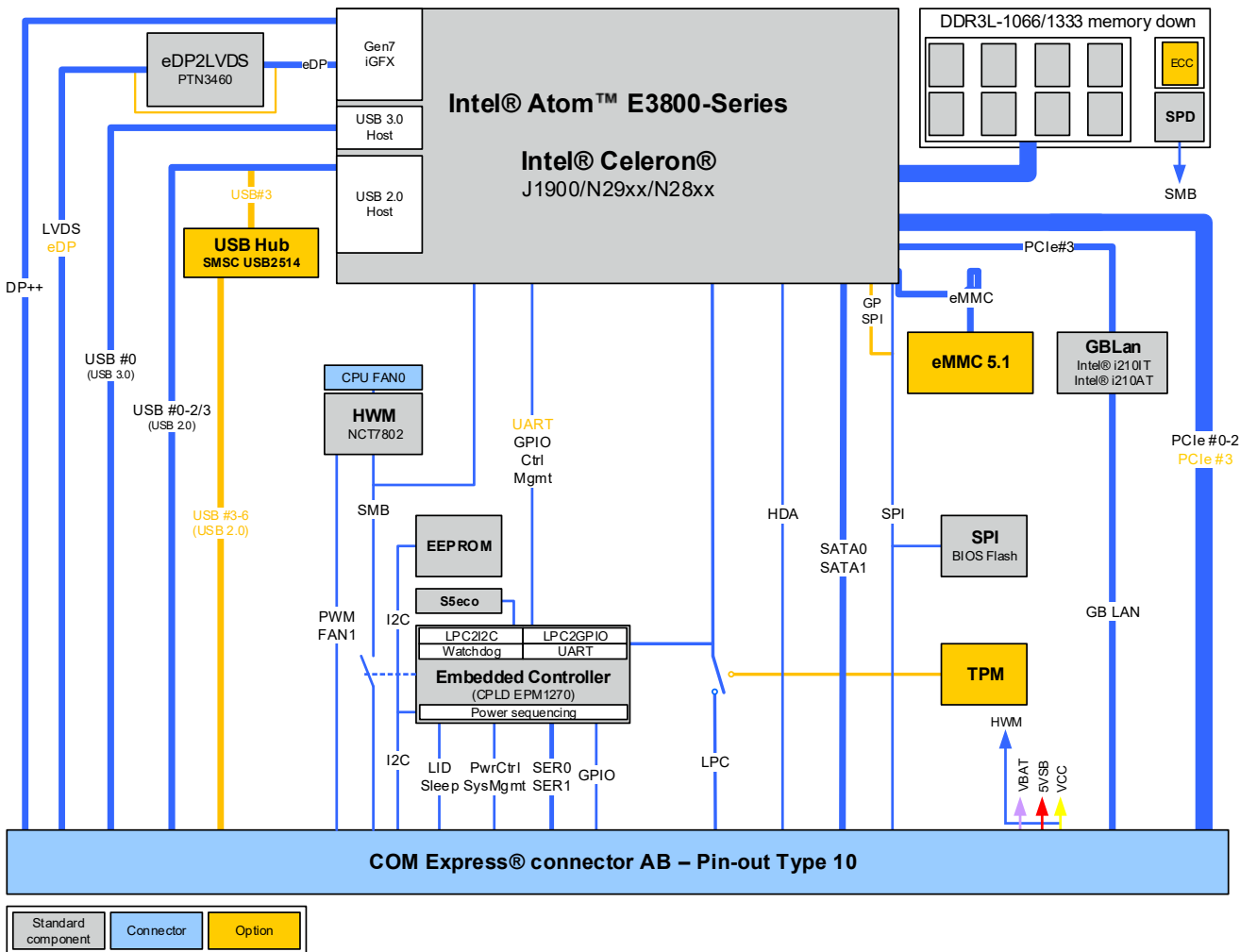
## COM Express® mini Type 10 with Intel Atom® E3800 & Celeron® series

- ▶ Intel Atom® E3800 & Celeron® series
- ▶ Up to 4 GByte DDR3L memory down (ECC optional)
- ▶ 1x USB 3.0/2.0, up to 7x USB 2.0, eMMC Flash, 2x SATA
- ▶ Industrial grade temperature

# Technical Information

FEATURES	DESCRIPTION
DIMENSIONS	COM Express® mini, Pin-out Type 10
CPU	84 mm x 55 mm
CHIPSET	Intel Atom® E3845, Intel Atom® E3827, Intel Atom® E3826, Intel Atom® E3825, Intel Atom® E3815, Intel® Celeron® J1900, Intel® Celeron® N2920, Intel® Celeron® N2930, Intel® Celeron® N2807
MAIN MEMORY	-
GRAPHICS CONTROLLER	Up to 4 GByte DDR3L-1333 memory down (ECC optional)
ETHERNET CONTROLLER	Intel® HD Graphics (Gen7)
ETHERNET	Intel® I210IT/I210AT
STORAGE	10/100/1000 MBit Ethernet
FLASH ONBOARD	2x SATA 3Gb/s
PCI EXPRESS®	8 - 128 GByte eMMC
PANEL SIGNAL	3x PCIe x1
USB	DDI: DP++, LVDS: Single Channel 18/24bit or eDP
SERIAL	1x USB 3.0 (incl. USB 2.0), 3x USB 2.0 from CPU, 3x USB 2.0 from USB Hub on 34006, (option on 34007)
AUDIO	2x serial interface (RX/TX only)
COMMON FEATURES	Intel® High Definition Audio
BIOS	SPI, LPC, SMB, Fast I²C, Staged Watchdog, RTC, MARS
HUMIDITY	Phoenix Secure Core UEFI
OPTIONS	93 % relative Humidity at 40 °C, non-condensing (according to IEC 60068-2-78)
POWER MANAGEMENT	1x PCIe x1 additional w/o onboard LAN, Trusted Platform Module TPM 1.2, ECC memory, eMMC Flash onboard, eDP instead of LVDS, General Purpose SPI instead of Boot SPI
POWER SUPPLY	ACPI, S5 Eco
SPECIAL FEATURES	4.75 V – 20 V Wide Range, Single Supply Power
OPERATING SYSTEM	POSCAP capacitors, General Purpose SPI optional
TEMPERATURE	Windows® 8, Windows® 7, Linux, VxWorks
TEMPERATURE	Commercial temperature: 0 °C to +60 °C operating, -30 °C to +85 °C non-operating Industrial temperature: -40 °C to +85 °C operating, -40 °C to +85 °C non-operating

# Block Diagram



Headquarters

**congatec GmbH**

Auwiesenstraße 5  
94469 Deggendorf, Germany  
Phone: +49 (991) 2700-0

info@congatec.com  
www.congatec.com

Subsidiary

**JUMPtEC GmbH**

Brunnwiesenstraße 16  
94469 Deggendorf, Germany  
Phone: + 49 991 37024-0

info@jumptec.com

