

Ultra Compact aReady.COM Standard Module

conga-aCOM/mRLP



aReady.COM

- Based on conga-HPC/mRLP-i5-1345URE
- High-Performance configuration with 2 pre-configured virtual machines
- Real-Time Linux OS on 1 P-Core
- Ubuntu Pro running on 1 P-Core and 8 E-Cores
- Incl. active cooling solution with heatpipes

Operating Systems

Real-Time Linux	RTS Real-Time Linux reference installation with Kernel 6.1 (Realtime-Preempt, longterm)
Ubuntu Desktop	Ubuntu 22.04 LTS, "Ubuntu Pro" subscription including 10 years security coverage

Virtualization

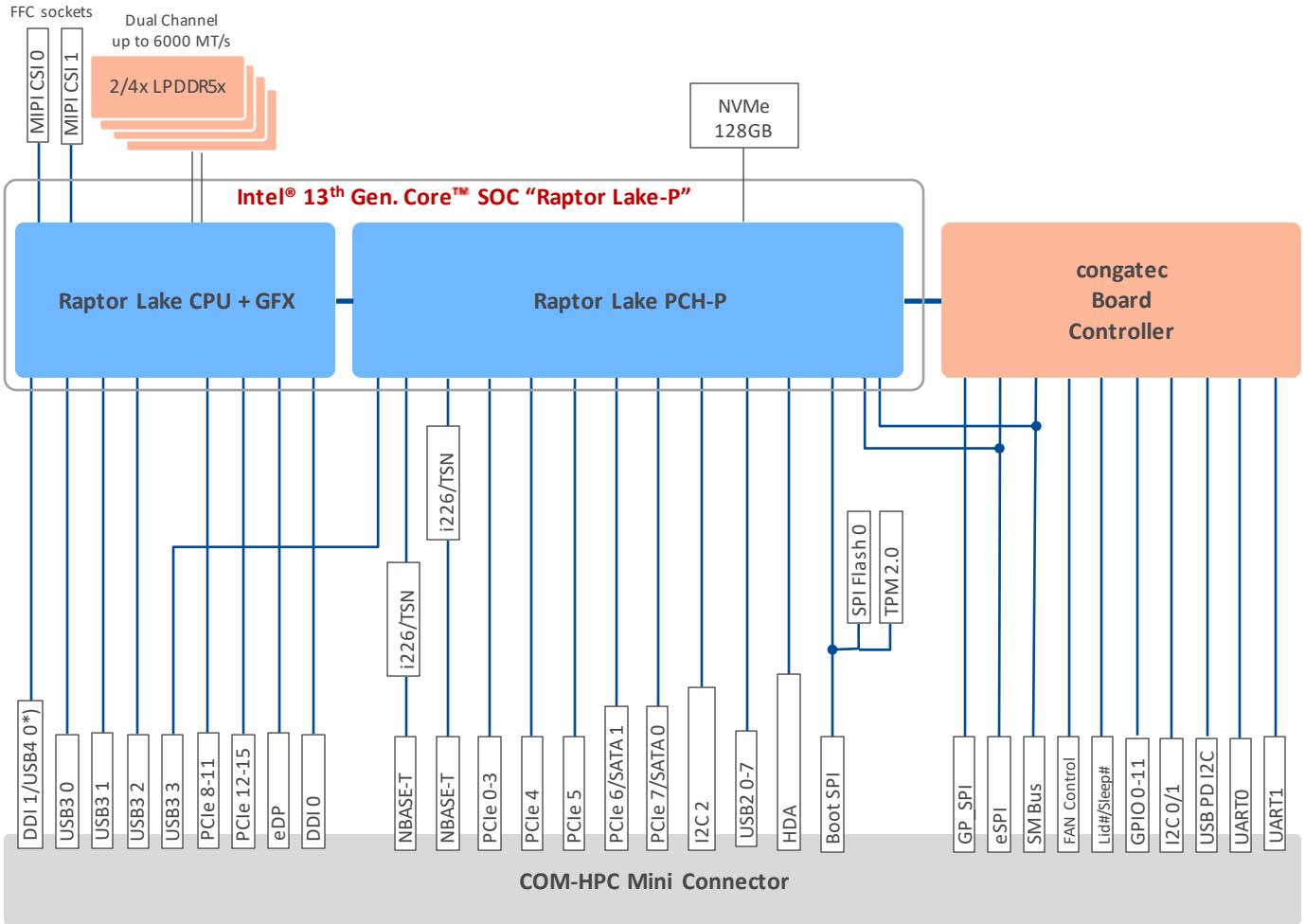
Hypervisor	RTS Real-Time Hypervisor, pre-configured
Partitioning	2x virtual machines (VM), 1x Real-Time, 1x General Purpose
Real-Time VM	Running on 2 P-Cores with fixed frequency Physical device access: NVMe SSD partition, 1x UART, 1x ethernet. Access to other integrated or external devices configurable
General-Purpose VM	Running on 2 P-Cores and 8 E-Cores Physical device access: NVMe SSD partition, 1x UART, 1x ethernet, integrated and external devices

Hardware

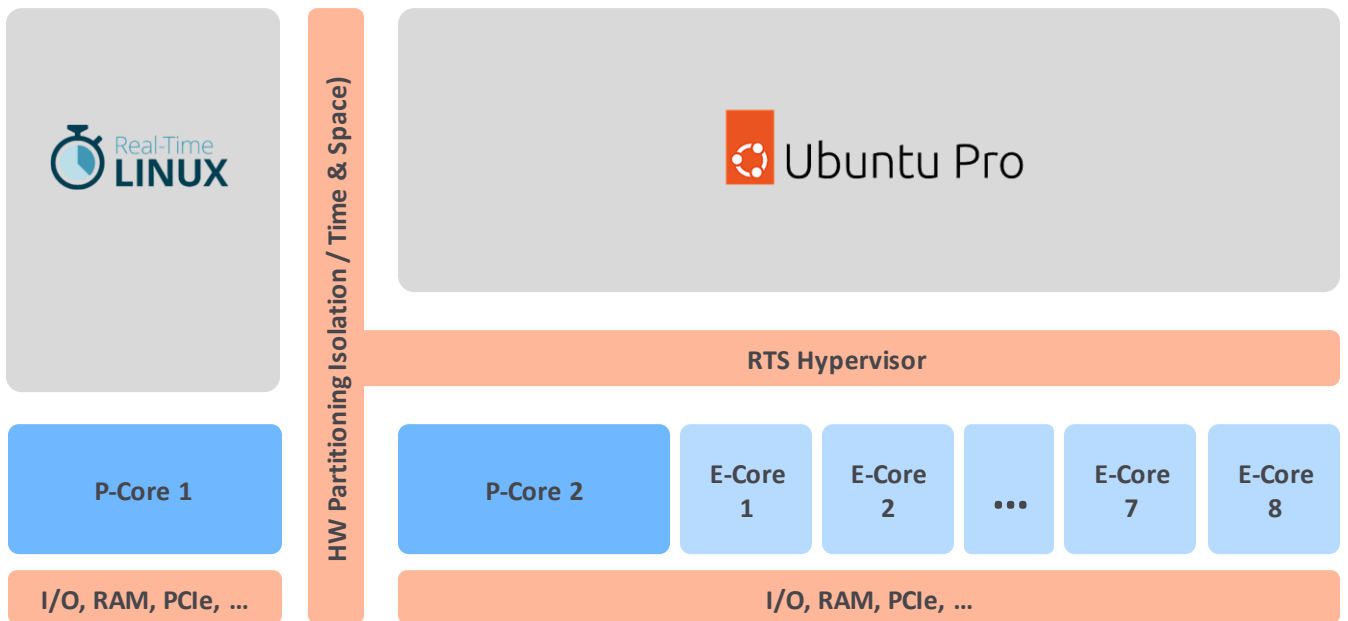
Form factor	COM-HPC Mini 95 mm x 70 mm
Processor	Intel® Core™ i5-1345URE Processor with 2 P-Cores
Graphics	Intel® Iris® Xe Graphics architecture Supports up to 4 independent displays
Memory	16GB onboard LPDDR5x memory
Mass Storage	128 GB NVMe SSD connected via PCIe (soldered)
Temperature Humidity	-40 °C to 85 °C 10% to 90% r. H. non cond.
Interfaces	2x 4 PCIe Gen4 up to 8x PCIe Gen3 Up to 1x USB 4.0 (option) up to 4x USB 3.2 up to 8x USB 2.0 Up to 2x SATA III 2x UART 2x MIPI-CSI

* For all interfaces please see Datasheet conga-HPC/mRLP

conga-aCOM/mRLP | Block Diagram



conga-aCOM/mRLP | System Consolidation



conga-aCOM/mRLP | Modules Order Information

Article	PN	Description
conga-aCOM/mRLP	320001	a Ready.COM including COM-HPC Size Mini module based on Intel® Core™ i5-13450RE processor with 2 P-cores 1.4GHz up to 4.6GHz Turbo and 8 E-cores 1.1GHz up to 3.4GHz Turbo 16GB onboard LPDDR5x memory 128 GB NVMe SSD Active cooling solution (bore hole) Pre-installed Software: RTS Hypervisor (including evaluation license) Real-Time Linux Ubuntu Pro Desktop
conga-HPC/3.5-mini	065630	COM-HPC 3.5" Application carrier board for COM-HPC Mini Modules