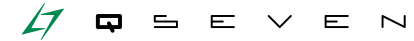


conga-MCB/Qseven Qseven® Mini Carrier Board



Qseven® Mini Carrier Board

The conga-QMCB is a full featured carrier board for Qseven.

1x miniPCI Express Socket

1x RJ45 connector with integrated Gigabit Ethernet Transformer

1x CFAST Socket, 1x SATA, 1x 8 bit SD Card Socket

2x USB at the front panel, 4x USB on pin header
(one USB can be configured as a Client)

1x Display Port or 1x HDMI

Dual LVDS 18/24 bits

High Definition Audio, two 3.5' Jack on front Panel, SPDIF on header

CAN Transceiver

Power Button/Reset Button/mini Card WIFI Radio disable/Sleep Button/LID Button

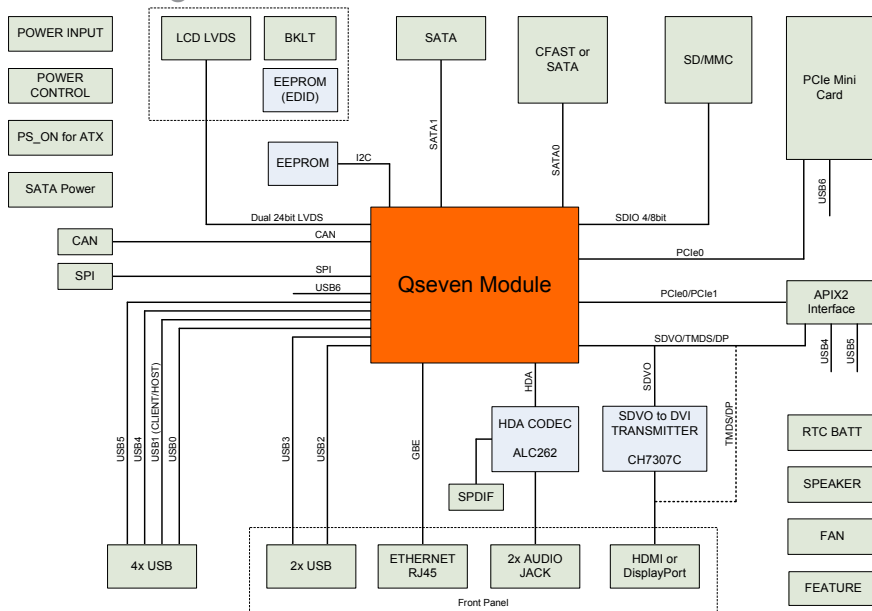
Input Power Voltage: 8 to 20V

Temperature: Operating 0 to 60°C
Storage -20 to 80°C

Humidity: Operating 10 to 90% r. H. non cond.
Storage 5 to 95% r. H. non cond.

Dimension: 145 x 95mm

Block Diagram



Article	PN	Description
conga-MCB/Qseven	020730	Mini Carrier Board for Qseven®
conga-MCB/Qseven DP	020731	Mini Carrier Board for Qseven® modules featuring DisplayPort Output
conga-MCB/Qseven	14000041	Cable kit for conga-MCB/Qseven

conga-QMCB

Qseven[®] Mini Carrier Board Description

